

RADIO REMOTE SYSTEMS



Section / Description	page
4-FUNCTIONS PTM RADIO TRANSMITTER	RC4
6-FUNCTIONS PTM RADIO TRANSMITTER	RC5
4/6-FUNCTIONS METER-IN SHW RADIO TRANSMITTER	RC6
CANBUS RADIO RECEIVER	RC7
APPLICATION EXAMPLE	RC8
ACCESSORIES	RC12

W 9 / 2016

WARNING: the specifications/application data shown in our catalogs and data sheets are intended only as a general guide for the product described (herein). Any specific application should not be undertaken without independent study, evaluation, and testing for suitability.



4484 Boeing Drive Rockford, IL 61109 • USA • Phone +1 (815) 397-6628 • Fax +1 (815) 397-2526
 mail: delta@delta-power.com • www.delta-power.com

TECNORD

Via Malavolti, 36 • 41122 Modena • ITALY • Phone +39 (059) 254895 • Fax +39 (059) 253512
 mail: tecnord@tecnord.com • www.tecnord.com

MODEL	DESCRIPTION	PAGE
Ordering Information		RC3
RC-PTM-4F	4-Functions PTM Radio Transmitter	RC4
RC-PTM-6F	6-Functions PTM Radio Transmitter	RC5
RC-SHW-_F	4/6-Functions Meter-IN SHW Radio Transmitter	RC6
RX-CAN-2G4	CANbus Radio Receiver	RC7
Application Example		RC8

WARNING: the specifications/application data shown in our catalogs and data sheets are intended only as a general guide for the product described (herein). Any specific application should not be undertaken without independent study, evaluation, and testing for suitability.

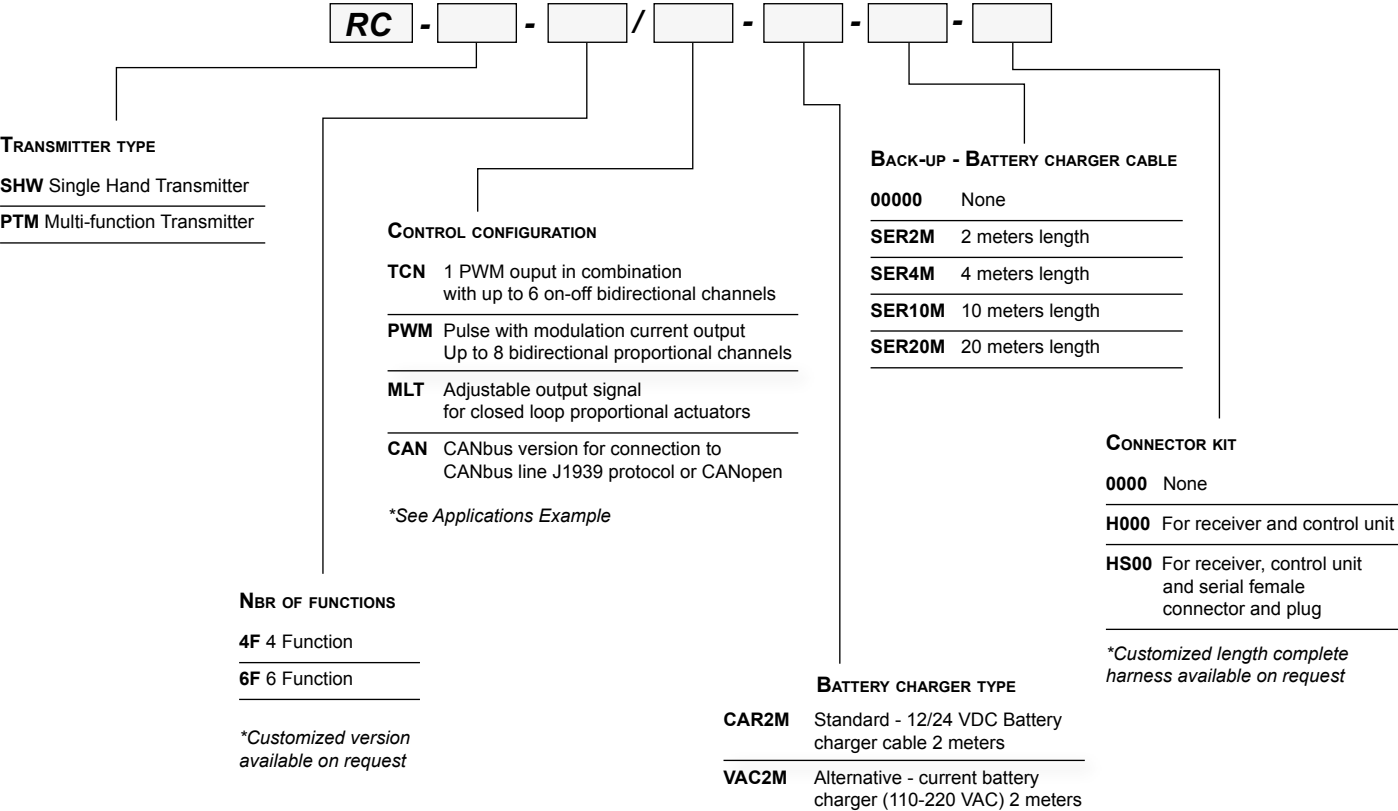


4484 Boeing Drive Rockford, IL 61109 • USA • Phone +1 (815) 397-6628 • Fax +1 (815) 397-2526
 mail: delta@delta-power.com • www.delta-power.com



Via Malavolti, 36 • 41122 Modena • ITALY • Phone +39 (059) 254895 • Fax +39 (059) 253512
 mail: tecnord@tecnord.com • www.tecnord.com

ORDERING INFORMATION



W 9 / 2016

WARNING: the specifications/application data shown in our catalogs and data sheets are intended only as a general guide for the product described (herein). Any specific application should not be undertaken without independent study, evaluation, and testing for suitability.



4484 Boeing Drive Rockford, IL 61109 • USA • Phone +1 (815) 397-6628 • Fax +1 (815) 397-2526
 mail: delta@delta-power.com • www.delta-power.com



Via Malavolti, 36 • 41122 Modena • ITALY • Phone +39 (059) 254895 • Fax +39 (059) 253512
 mail: tecnord@tecnord.com • www.tecnord.com

RC-PTM-4F 4-FUNCTIONS PTM RADIO TRANSMITTER

DESCRIPTION

Compact multi-function shoulder strap radio remote controller, for use with Tecnord radio receivers / transceivers. Four proportional paddle levers (JLP type) and toggle switches for auxiliary functions. RC-PTM radio remote controller is designed to allow remote operation of machines. It is best suited for machines equipped with a CAN-based control system. Its multi-function structure allows simultaneous operation of all the available functions.

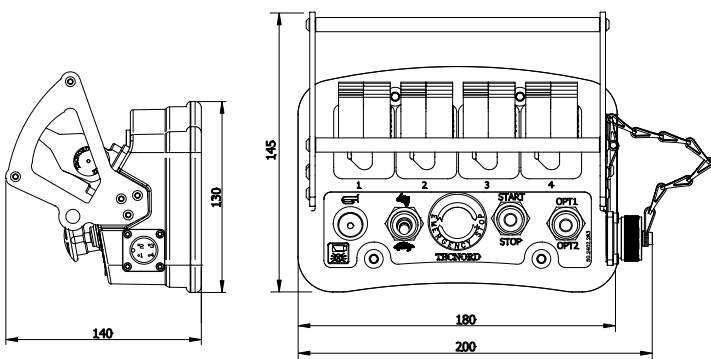
OPERATION

RC-PTM-4F Compact Controller is equipped with 4 proportional paddle levers (Tecnord JLP type). Additional operators are available for radio enable, reduced speed selection and auxiliary functions. A STOP pushbutton is available to immediately stop the machine in case of hazard. Battery and battery charger are internal; a connector is provided for battery charging and backup cable communication. The transmission technology used allows high immunity to interference and long operating range. Co-existence between multiple RC-PTM units is also allowed. A unique code allows the RC-PTM controller to operate only with its coupled radio receiver.

FEATURES

- Battery power supply: NiMH rechargeable cells.
- Cable power supply: from vehicle's battery, for battery charge.
- CANbus line (standard J1939, option CANopen) is provided for backup cable communication.
- Standard battery charge cable with cigarette-lighter plug.
- Optional serial cable (CANbus + battery charge).
- Vibration and shock resistant.
- CE, FCC, IC certifications available.
- Shoulder strap provided as standard.

DIMENSIONS



SPECIFICATIONS

Operating voltage (internal battery):	4.7÷6 VDC
Operating voltage (serial cable):	8÷32 VDC
Max current consumption:	200 mA
Operating temperature:	-40 ÷ +85°C
Operating Frequency Band:	2402÷2480 MHz
Transmission type:	BT 2.1 + EDR
Antenna:	Built-in (internal)
Diagnostics:	1 LED for the controller's status (more LEDs available as option)
CANbus physical layer:	ISO 11898
CANbus protocol:	J1939 (standard) CANopen (option)
Connector type:	IT connector, 4 poles female
Housing material:	Polycarbonate
Weight:	< 1Kg (4F)
Environmental protection:	IP 65

RC ORDERING INFORMATION: see page RC3

WARNING: the specifications/application data shown in our catalogs and data sheets are intended only as a general guide for the product described (herein). Any specific application should not be undertaken without independent study, evaluation, and testing for suitability.



4484 Boeing Drive Rockford, IL 61109 • USA • Phone +1 (815) 397-6628 • Fax +1 (815) 397-2526
mail: delta@delta-power.com • www.delta-power.com



Via Malavolti, 36 • 41122 Modena • ITALY • Phone +39 (059) 254895 • Fax +39 (059) 253512
mail: tecnord@tecnord.com • www.tecnord.com

RC-PTM-6F 6-FUNCTIONS PTM RADIO TRANSMITTER

DESCRIPTION

Compact multi-function shoulder strap radio remote controller, for use with Tecnord radio receivers / transceivers. Six proportional paddle levers (JLP type) and toggle switches for auxiliary functions. RC-PTM radio remote controller is designed to allow remote operation of machines. It is best suited for machines equipped with a CAN-based control system. Its multi-function structure allows simultaneous operation of all the available functions.

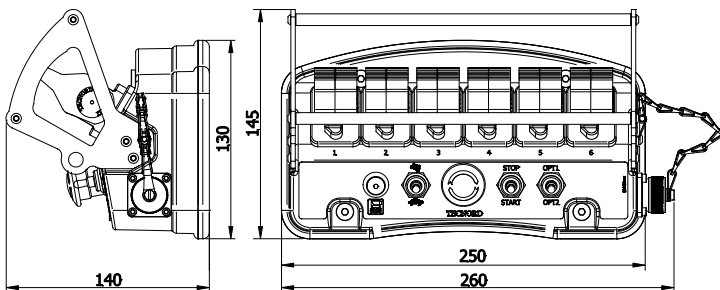
OPERATION

RC-PTM-6F Standard Controller is equipped with 6 proportional paddle levers (Tecnord JLP type). Additional operators are available for radio enable, reduced speed selection and auxiliary functions. A STOP pushbutton is available to immediately stop the machine in case of hazard. Battery and battery charger are internal; a connector is provided for battery charging and backup cable communication. The transmission technology used allows high immunity to interference and long operating range. Co-existence between multiple RC-PTM units is also allowed. A unique code allows the RC-PTM controller to operate only with its coupled radio receiver.

FEATURES

- Battery power supply: NiMH rechargeable cells.
- Cable power supply: from vehicle's battery, for battery charge.
- CANbus line (standard J1939, option CANopen) is provided for backup cable communication.
- Standard battery charge cable with cigarette-lighter plug.
- Optional serial cable (CANbus + battery charge).
- Vibration and shock resistant.
- CE, FCC, IC certifications available.
- Shoulder strap provided as standard.

DIMENSIONS



SPECIFICATIONS

Operating voltage (internal battery):	4.7÷6 VDC
Operating voltage (serial cable):	8÷32 VDC
Max current consumption:	200 mA
Operating temperature:	-40 ÷ +85°C
Operating Frequency Band:	2402÷2480 MHz
Transmission type:	BT 2.1 + EDR
Antenna:	Built-in (internal)
Diagnostics:	1 LED for the controller's status (more LEDs available as option)
CANbus physical layer:	ISO 11898
CANbus protocol:	J1939 (standard) CANopen (option)
Connector type:	IT connector, 4 poles female
Housing material:	Polycarbonate
Weight:	< 1.2Kg (6F)
Environmental protection:	IP 65

RC ORDERING INFORMATION: see page RC3

W 9 / 2016

WARNING: the specifications/application data shown in our catalogs and data sheets are intended only as a general guide for the product described (herein). Any specific application should not be undertaken without independent study, evaluation, and testing for suitability.



4484 Boeing Drive Rockford, IL 61109 • USA • Phone +1 (815) 397-6628 • Fax +1 (815) 397-2526
 mail: delta@delta-power.com • www.delta-power.com



Via Malavolti, 36 • 41122 Modena • ITALY • Phone +39 (059) 254895 • Fax +39 (059) 253512
 mail: tecnord@tecnord.com • www.tecnord.com

RC-SHW-_F 4/6-FUNCTIONS METER-IN SHW RADIO TRANSMITTER

DESCRIPTION

Single-hand radio controller (transmitter/transceiver) with CANbus interface. For use with Tecnord RX-CAN radio receivers or as stand-alone controller for CANbus based systems. RC-SHW-_F radio controller is designed to allow radio remote operation of machines equipped with a CAN-based control system. Its compact and ergonomic design allows easy operation: with a single hand all operators, on-off and proportional, are available. RC-SHW-_F standard configuration includes 4 or 6 toggle switches for on-off selection of the function(s) and one proportional trigger for proportional speed control. Additional operators are available for radio enable and auxiliary functions. A STOP push button is available to immediately stop the machine in case of hazard. Battery and battery charger are internal; a connector is provided for battery charging and backup cable communication. The transmission technology used allows high immunity to interference and long operating range. Co-existence between multiple radio units is also allowed. A unique code allows the RC-SHW-_F controller to operate only with its coupled radio receiver. Standard cable communication protocols include CANopen and J1939. Customized protocols are available for OEMs.

FEATURES

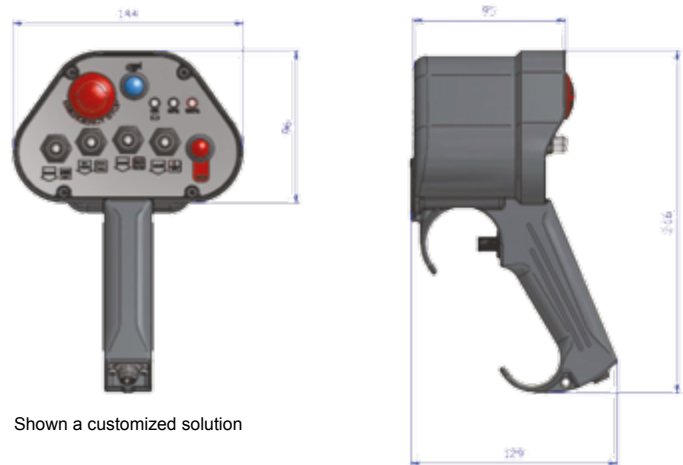
- Standard power supply from internal battery pack (rechargeable).
- Power supply line from the cable is protected against reversed polarity and overvoltage.
- CANbus line is protected against short circuits to GND and supply.
- Microprocessor based.
- Robust plastic enclosure.
- CE, FCC, IC certifications available
- Electro Magnetic Compatibility (EMC): EN 61000-6-2 (Immunity)
EN 61000-6-3 (Emissions)

SPECIFICATIONS

Operating voltage (internal battery):	4.7÷6 VDC
Operating voltage (serial cable):	8÷32 VDC
Max current consumption:	250 mA
Operating temperature:	-40 ÷ +85°C
Operating Frequency Band:	2402÷2480 MHz
Transmission type:	BT 2.1 + EDR
Antenna:	Built-in (internal)
Diagnostics:	1 LED for the controller's status (more LEDs available as option) 1 buzzer
CANbus physical layer:	ISO 11898
CANbus protocol:	J1939 (standard) CANopen (option)
Connector type:	M12, 4 pins
Housing material:	thermoplastic POM (different colours available)
Weight:	< 1Kg (4F)
Environmental protection:	IP 65



DIMENSIONS



APPLICATIONS

- Remote control of aerial platforms, telehandlers, agricultural machines and lift equipment equipped with CANbus systems.
- Stand-alone CANbus controller in both 12 VDC and 24 VDC systems.

RC ORDERING INFORMATION: see page RC3

WARNING: the specifications/application data shown in our catalogs and data sheets are intended only as a general guide for the product described (herein). Any specific application should not be undertaken without independent study, evaluation, and testing for suitability.



4484 Boeing Drive Rockford, IL 61109 • USA • Phone +1 (815) 397-6628 • Fax +1 (815) 397-2526
mail: delta@delta-power.com • www.delta-power.com



Via Malavolti, 36 • 41122 Modena • ITALY • Phone +39 (059) 254895 • Fax +39 (059) 253512
mail: tecnord@tecnord.com • www.tecnord.com

RX-CAN-2G4 CANBUS RADIO RECEIVER

DESCRIPTION

Compact radio receiver / transceiver with CANbus interface. For use with Tecnord single-hand or multifunction Radio Transmitters.

OPERATION

RX-CAN radio transceiver is designed to allow radio remote operation of machines equipped with a CAN-based control system. Its compact and rugged design allows easy installation, even in weather-exposed locations on the machine. Standard communication protocols include CANopen and J1939.

Customized protocols are available for OEMs. Each Tecnord Radio is produced with a unique identifier (System ID). In case of lost Transmitter, a simple self-learning procedure allows to match a new spare transmitter. The transmission technology used allows high immunity to interference and long operating range. Co-existence between multiple units is also allowed. A unique code allows the RX-CAN transceiver controller to operate only with its coupled radio transmitter.

FEATURES

- Supply line is protected against reversed polarity and overvoltage.
- CANbus line is protected against short circuits to GND and supply.
- Microprocessor based.
- Vibration and shock resistant.
- Easy installation with 4 screws (option: magnet).
- CE, FCC, IC certifications available
- Electro Magnetic Compatibility (EMC): EN 61000-6-2 (Immunity)
EN 61000-6-3 (Emissions)

SPECIFICATIONS

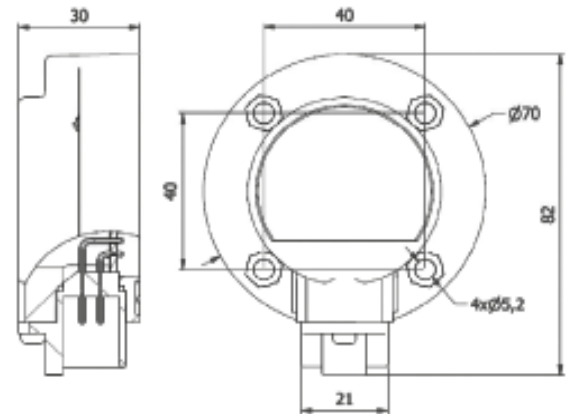
Operating voltage:	6.5 ÷ 30 VDC
Max current consumption:	200 mA
Operating temperature:	-40 ÷ +85°C
Environmental protection:	IP 68
Operating Frequency Band:	2402 ÷ 2480 MHz
Transmission type:	BT 2.1 + EDR
Antenna:	Built-in (internal)
Diagnostics:	1 LED for the radio link status 1 LED for the CANbus status
CANbus physical layer:	ISO 11898
CANbus protocol:	J1939 (standard) CANopen (option)
Connector type:	Deutsch DT04-4P

APPLICATIONS

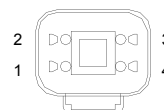
- 12 VDC and 24 VDC systems.
- Remote control of aerial platforms, telehandlers, agricultural machines and lift equipment equipped with CANbus systems.



DIMENSIONS



CONNECTIONS



- Deutsch DT04-4P**
- 1 +V (POWER SUPPLY)
 - 2 CAN - H
 - 3 CAN - L
 - 4 -V (POWER SUPPLY - GND)

RX ORDERING INFORMATION: see page RC3

WARNING: the specifications/application data shown in our catalogs and data sheets are intended only as a general guide for the product described (herein). Any specific application should not be undertaken without independent study, evaluation, and testing for suitability.

W 9 / 2016



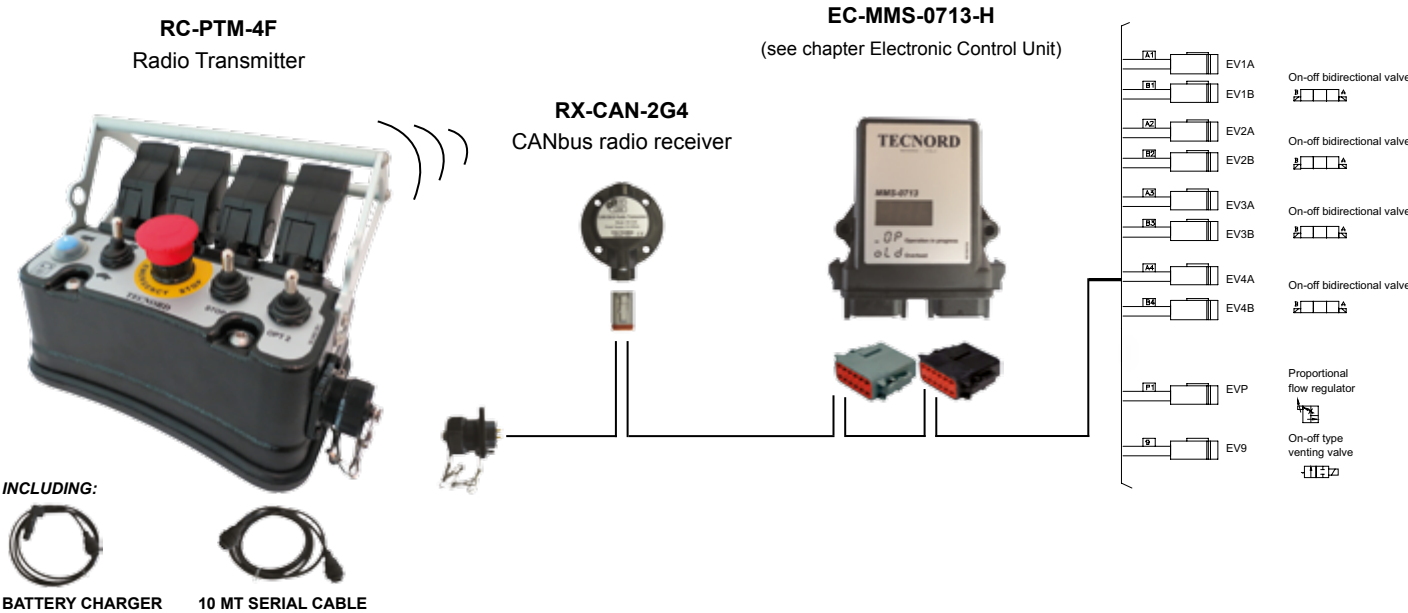
4484 Boeing Drive Rockford, IL 61109 • USA • Phone +1 (815) 397-6628 • Fax +1 (815) 397-2526
mail: delta@delta-power.com • www.delta-power.com



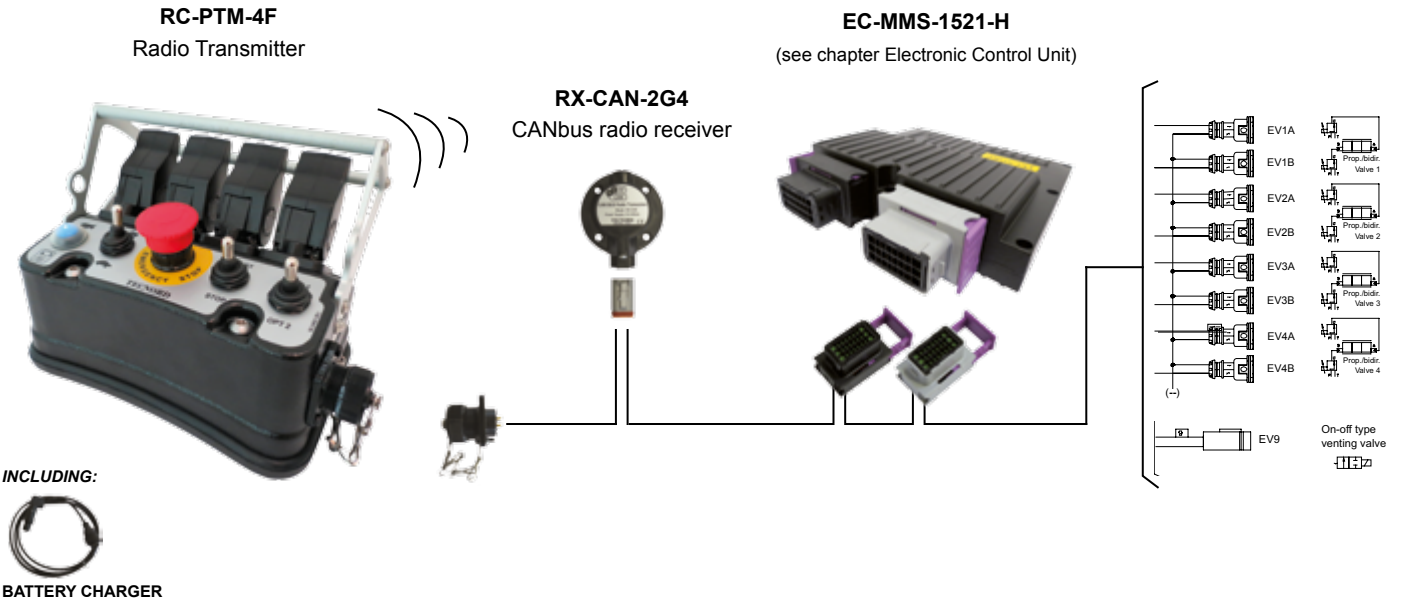
Via Malavolti, 36 • 41122 Modena • ITALY • Phone +39 (059) 254895 • Fax +39 (059) 253512
mail: tecnord@tecnord.com • www.tecnord.com

APPLICATION EXAMPLE

Model: RC-PTM-4F/TCN-CAR2M-SER10M-0000



Model: RC-PTM-4F/PWM-CAR2M-00000-0000



WARNING: the specifications/application data shown in our catalogs and data sheets are intended only as a general guide for the product described (herein). Any specific application should not be undertaken without independent study, evaluation, and testing for suitability.



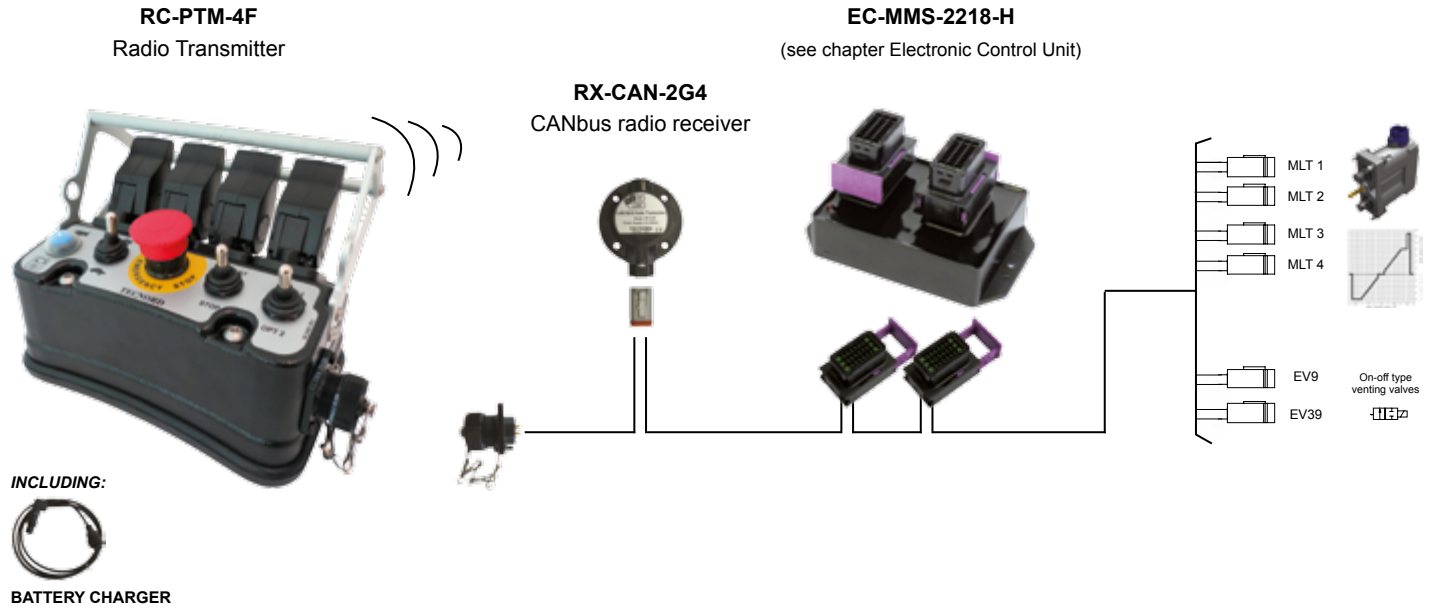
4484 Boeing Drive Rockford, IL 61109 • USA • Phone +1 (815) 397-6628 • Fax +1 (815) 397-2526
mail: delta@delta-power.com • www.delta-power.com



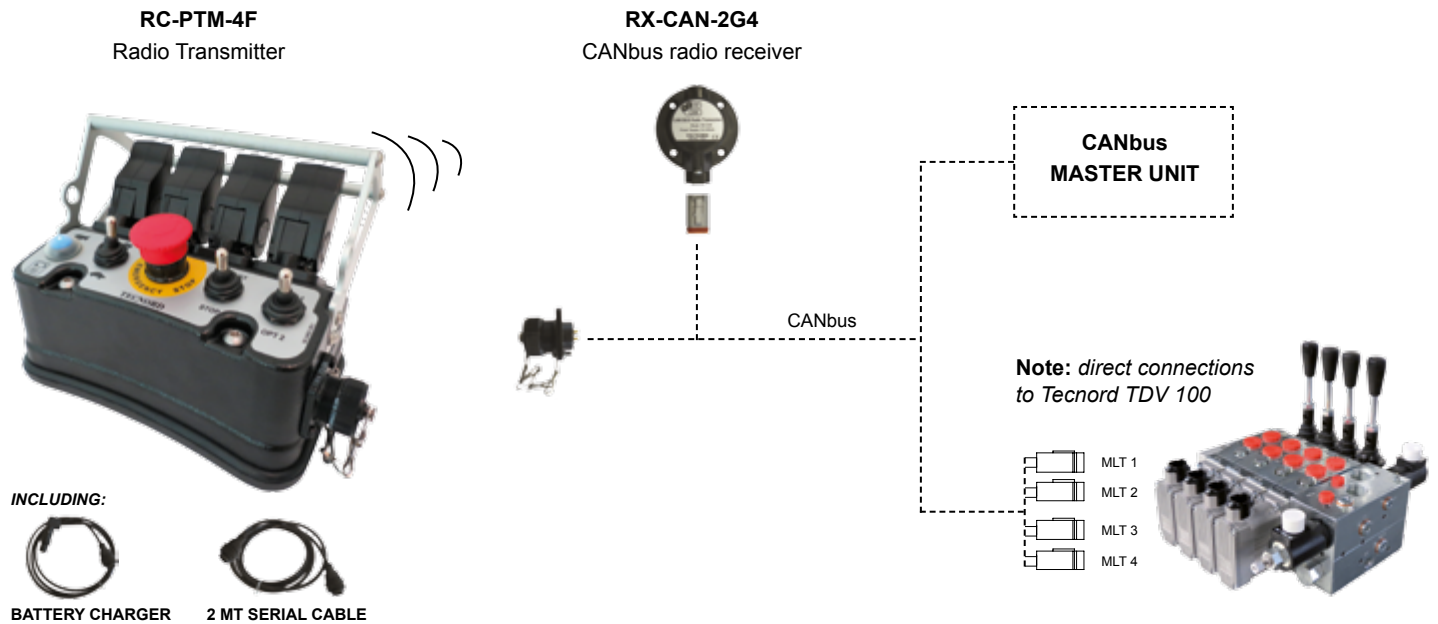
Via Malavolti, 36 • 41122 Modena • ITALY • Phone +39 (059) 254895 • Fax +39 (059) 253512
mail: tecnord@tecnord.com • www.tecnord.com

APPLICATION EXAMPLE

Model: RC-PTM-4F/MLT-CAR2M-00000-0000



Model: RC-PTM-4F/CAN-CAR2M-SER2M-H000



W 9 / 2016

WARNING: the specifications/application data shown in our catalogs and data sheets are intended only as a general guide for the product described (herein). Any specific application should not be undertaken without independent study, evaluation, and testing for suitability.



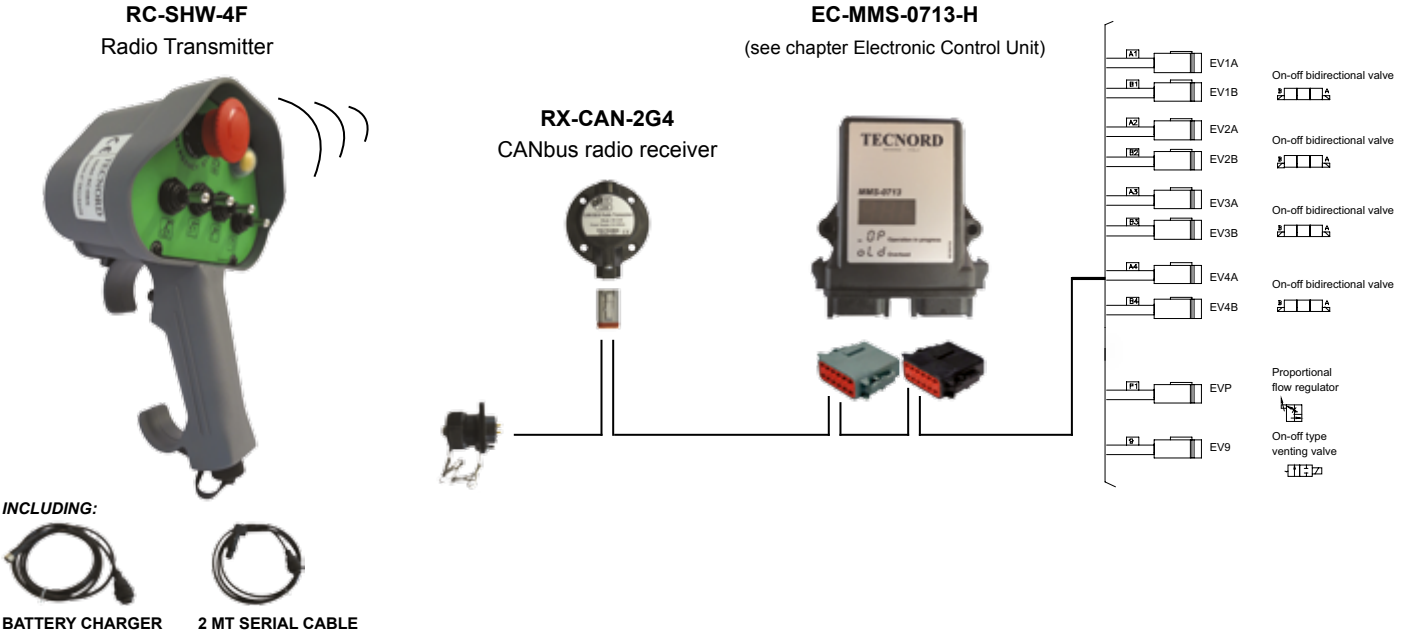
4484 Boeing Drive Rockford, IL 61109 • USA • Phone +1 (815) 397-6628 • Fax +1 (815) 397-2526
mail: delta@delta-power.com • www.delta-power.com



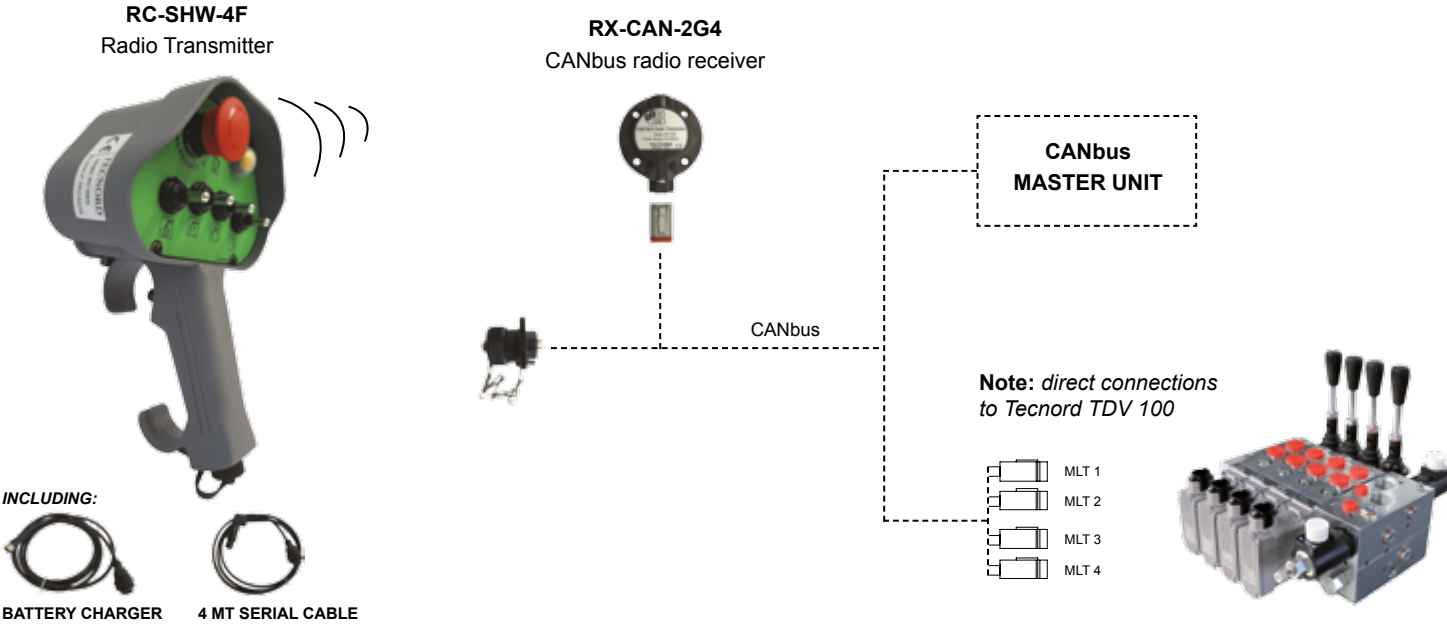
Via Malavolti, 36 • 41122 Modena • ITALY • Phone +39 (059) 254895 • Fax +39 (059) 253512
mail: tecnord@tecnord.com • www.tecnord.com

APPLICATION EXAMPLE

Model: RC-SHW-4F/TCN-CAR2M-SER2M-0000



Model: RC-SHW-4F/CAN-CAR2M-SER4M-0000



WARNING: the specifications/application data shown in our catalogs and data sheets are intended only as a general guide for the product described (herein). Any specific application should not be undertaken without independent study, evaluation, and testing for suitability.

SERIAL AND BATTERY CHARGER CABLES

ACCESSORIES

BATTERY CHARGER CABLE IT (standard)

Kit includes: 12-24 VDC Battery charger cable - IT - 2 meters

Available for PTM Transmitter

CAR2M - 2 meters

ORDERING CODE: 22.0611.104



BATTERY CHARGER CABLE M12 (standard)

Kit includes: 12-24 VDC Battery charger cable - M12 - cigarette lighter plug - 2 meters

Available for SHW Transmitter

CAR2M - 2 meters

ORDERING CODE: 22.0611.119



BATTERY CHARGER (110-220 VAC) CABLE IT

Kit includes: 110-220 VAC Battery charger cable - IT - 1.5 meters

Available for PTM Transmitter

VAC2M - 1.5 meters

ORDERING CODE: 22.0611.134



BATTERY CHARGER (110-220 VAC) CABLE M12

Kit includes: 110-220 VAC Battery charger cable - M12 - 1.5 meters

Available for SHW Transmitter

VAC2M - 1.5 meters

ORDERING CODE: 22.0611.135



SERIAL AND BATTERY CHARGER CABLE IT/IT

Kit includes: serial and Battery charger cable IT/IT - 2, 4, 10, 20 meters

Available for PTM Transmitter

SER2M - 2 meters

ORDERING CODE: 22.0611.105

SER4M - 4 meters

ORDERING CODE: 22.0611.114/A

SER10M - 10 meters

ORDERING CODE: 22.0611.103

SER20M - 20 meters

ORDERING CODE: 22.0611.101



SERIAL AND BATTERY CHARGER CABLE IT/M12

Kit includes: serial and Battery charger cable IT/M12 - 2, 4, 10, 20 meters

Available for SHW Transmitter

SER2M - 2 meters

ORDERING CODE: 22.0611.044

SER4M - 4 meters

ORDERING CODE: 22.0611.120

SER10M - 10 meters

ORDERING CODE: 22.0611.065

SER20M - 20 meters

ORDERING CODE: 22.0611.131



CONNECTOR KITS

4 POLES DEUTSCH DT06-4S

Kit includes: male connector, female contacts, secondary lock and fillers

Available for Radio receiver: RX-CAN

ORDERING CODE: 13.0310.132



12 POLES "DEUTSCH DTM06-12SA & DTM06-12SB"

Kit includes: male connector, female contacts, secondary lock and fillers

Available for electronic control unit: EC-MMS-0713-H

ORDERING CODE: 13.0310.253



24 POLES SICMA BLACK COLOR

Kit includes: male connector, female contacts, locking cum, fillers

Available for electronic control unit: EC-MMS-2218-H; EC-MMS-1521-H

ORDERING CODE: 13.0310.150



24 POLES SICMA GREY COLOR

Kit includes: male connector, female contacts, locking cum, fillers

Available for electronic control unit: EC-MMS-1521-H

ORDERING CODE: 13.0310.634



HARNESS - IT SERIAL FEMALE CONNECTOR AND PLUG

IT female connector **ORDERING CODE: 50.1005.118**

IT4 Plug with chain **ORDERING CODE: 50.1005.116**



WARNING: the specifications/application data shown in our catalogs and data sheets are intended only as a general guide for the product described (herein). Any specific application should not be undertaken without independent study, evaluation, and testing for suitability.



4484 Boeing Drive Rockford, IL 61109 • USA • Phone +1 (815) 397-6628 • Fax +1 (815) 397-2526
 mail: delta@delta-power.com • www.delta-power.com



Via Malavolti, 36 • 41122 Modena • ITALY • Phone +39 (059) 254895 • Fax +39 (059) 253512
 mail: tecnord@tecnord.com • www.tecnord.com